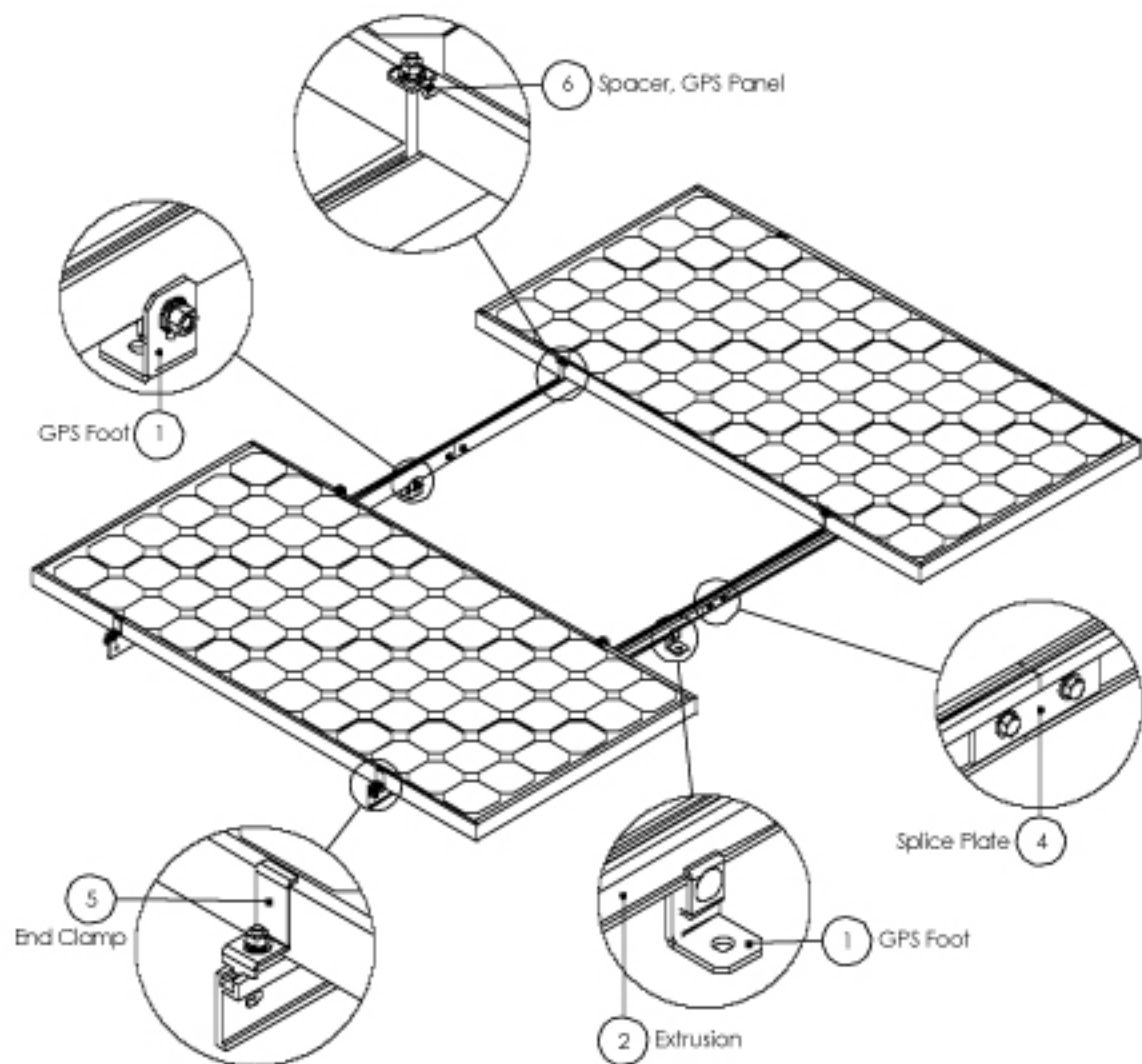


ITEM NO.	QTY.	PART NO.	DESCRIPTION
1	6	51-6000-002	Foot, GPS.
2	4	51-6000-048	Extrusion, GPS 48"
4	1	29-7000-000	Kit, Splice GPS-SK
	2	51-6000-006	Plate, GPS Splice.
	8	25-2502-000	Washer, flat 1/4 SS
	4	25-2501-000	Washer, lock 1/4"
	4	24-2520-440	Nut, 1/4-20 fin hex SS
	4	23-2520-050	Bolt, 1/4-20 x .75 SS
5	1	29-7000-204	Kit, End Clamp GPS 1.97"
	4	23-2520-100	Bolt, 1/4-20 x 1.0 Hex CS SS
	4	51-6000-004	Clamp, GPS End 1.97"
	4	25-2502-000	Washer, flat 1/4 SS
	4	25-2501-000	Washer, lock 1/4"
	4	24-2520-440	Nut, 1/4-20 fin hex SS
6	1	29-7000-104	Kit, Module Assy GPS 4
	4	23-2520-275	Bolt, 1/4-20 x 1.0 Hex CS SS
	4	51-6000-005	Spacer, GPS Panel
	4	25-2502-000	Washer, flat 1/4 SS
	4	25-2501-000	Washer, lock 1/4"
	4	24-2520-440	Nut, 1/4-20 fin hex SS
7	1	29-7000-006	Kit, Foot Assy GPS 6
	6	51-6000-003	Clamp, GPS Foot
	1	51-6000-003	Clamp, GPS Foot
	1	23-3816-001	Bolt, Carriage 3/8-16 x 1 SS
	6	25-3702-001	Washer, flat 3/8"
	6	25-3701-001	Washer, lock 3/8"
	6	24-3716-441	Nut, 3/8-16 fin hex ZI



NOTES:  
 THE QUANTITIES AND ITEM NUMBERS ON THIS BILL OF MATERIALS WILL VARY ACCORDING TO THE SPECIFIC APPLICATION THE MOUNT SYSTEM IS CONFIGURED FOR. THESE INSTRUCTIONS ARE FOR REFERENCE ONLY IN REGARDS TO THE ACTUAL ASSEMBLY DETAILS OF THE MOUNT. FOR THE ACTUAL BILL OF MATERIALS IN YOUR MOUNT SYSTEM AS SHIPPED SEE THE PACKING LIST THAT CAME WITH YOUR MOUNT.

A GPS SPARES KIT #29-7000-001 IS SHIPPED WITH THIS MOUNT.

REVISIONS			
REV.	DESCRIPTION	DATE	APPROVED
A	Release for Reference	4-12-06	D.E.DeFaro

	NAME	DATE
DRAWN	D.E.DeFaro	4-12-06
CHECKED		
ENG APP.		

UNLESS OTHERWISE SPECIFIED:  
 DIMENSIONS ARE IN INCHES.

TOLERANCES:  
 ANGLES:  $\pm 1.5^\circ$   
 TWO PLACE DECIMAL:  $\pm .030$   
 THREE PLACE DECIMAL:  $\pm .015$

## GPS Instructions

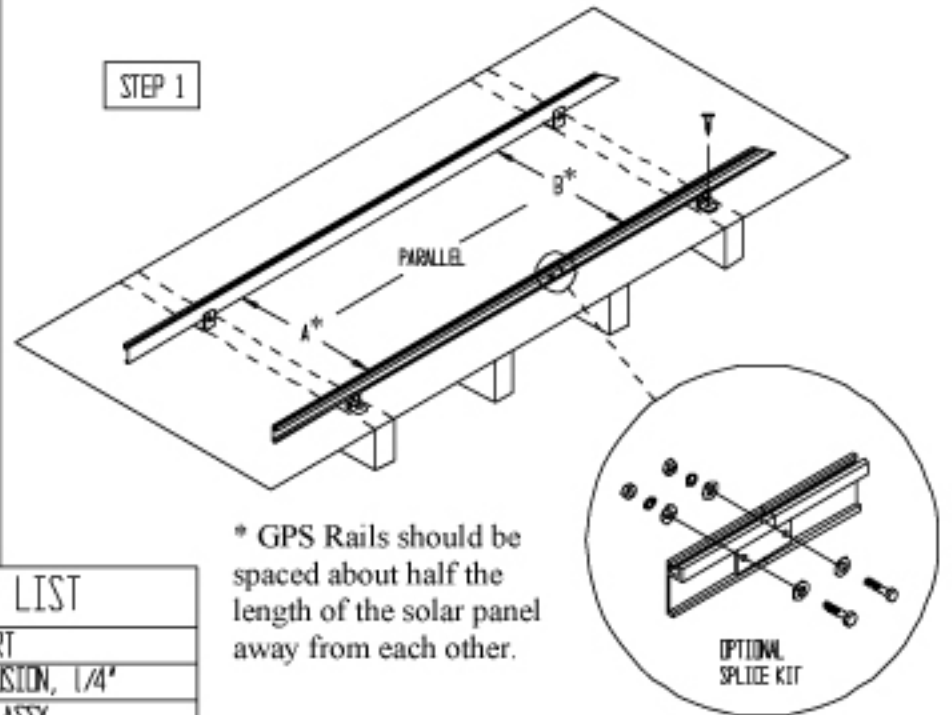
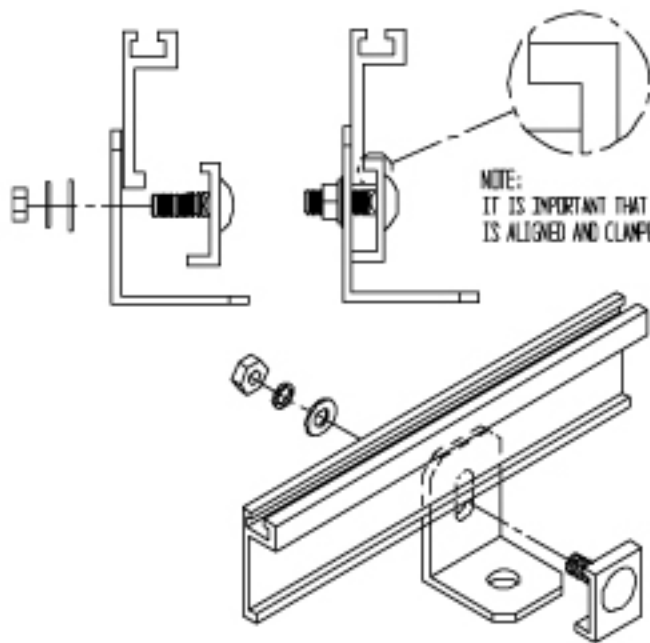
SIZE	DWG. NO.	REV.
A	91-0700-001	A

PROPRIETARY AND CONFIDENTIAL  
 THE INFORMATION CONTAINED IN THIS DRAWING IS THE SOLE PROPERTY OF 2 SEAS METALWORKS.  
 ANY REPRODUCTION IN PART OR AS A WHOLE WITHOUT THE WRITTEN PERMISSION OF 2 SEAS METALWORKS IS PROHIBITED.

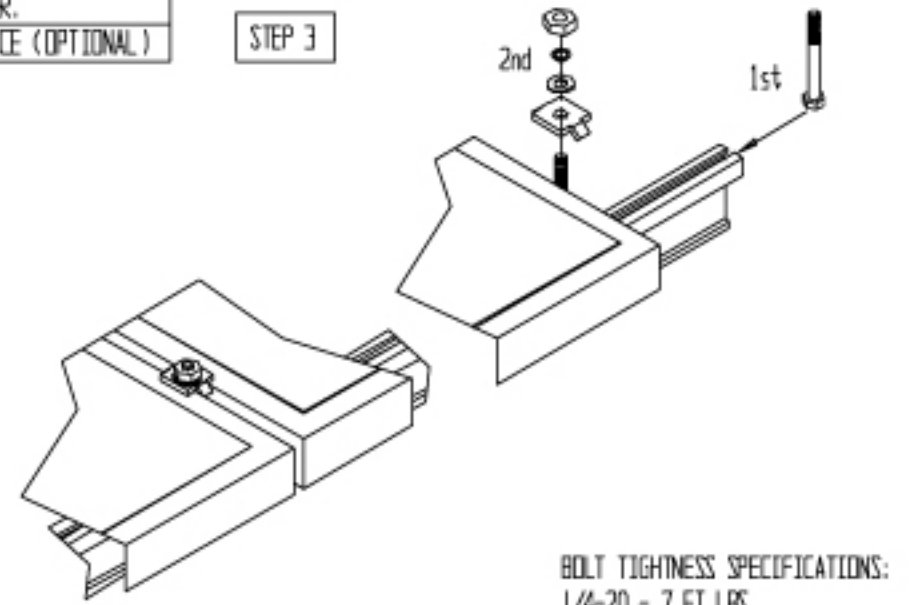
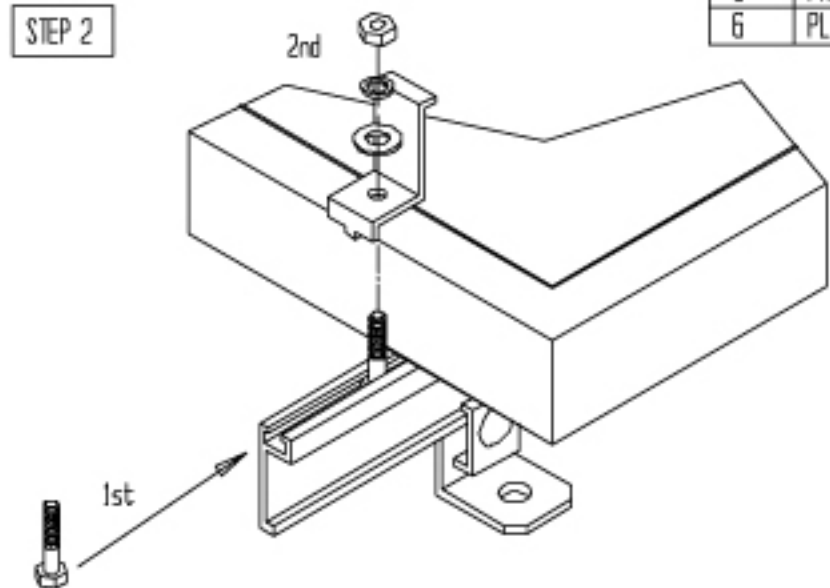
DO NOT SCALE DRAWING

SCALE 1:1

SHEET 1 OF 1



PARTS LIST	
ITEM	PART
1	GPS EXTRUSION, 1/4"
2	FOOT KIT ASSY.
4	END PLATE.
5	PANEL SPACER.
6	PLATE, SPLICE (OPTIONAL)



BOLT TIGHTNESS SPECIFICATIONS:  
1/4-20 = 7 FT LBS.  
5/16-18 = 12 FT LBS.